

Z4A

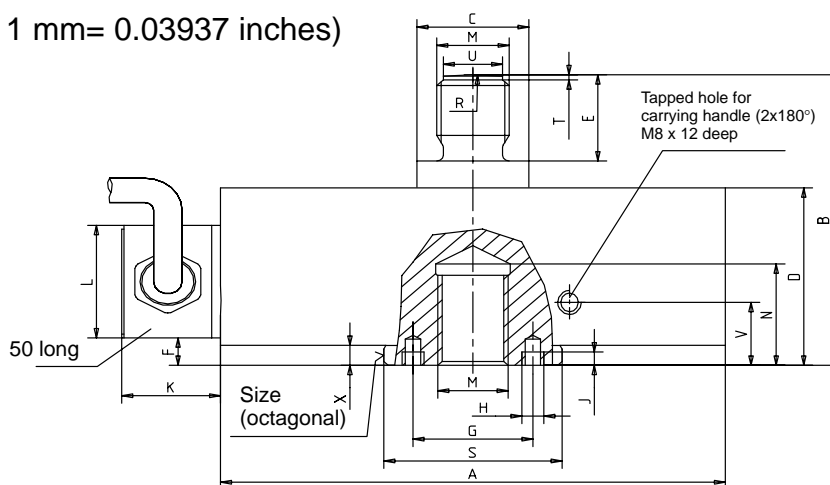
Force Standards



Special features

- Tensile /compressive force transducer with maximum accuracy
- Nominal forces 20 kN ... 500 kN
- Classification option by device classes with DKD calibration certificate according to EN10002-3 or ISO/FDIS 376
- Transfer standard in international force reference
- Good long-term stability

Dimensions (in mm; 1 mm= 0.03937 inches)



Type/ Order no.	∅ A	B	∅ C _{f7}	D	E	F	G	H	J	K	L	M	N	R	∅ S _{f7}	T	∅ U	V	X	a.f.
1-Z4A/20 kN	115	77	25	47	23	7.3						M16	27	60	40	1.4	13		5.3	38
1-Z4A/50 kN	120	83	26	55	23	10.2	-	-	-	22	30	M20x1.5	28	60	48	1.4	17		8.2	45
1-Z4A/100 kN	146	107	40	69	33	12.2						M30x2	37	160	62	1.4	27		10.2	59
1-Z4A/200 kN	180	137	50	89	43	13.1	68	M6	6			M39x2	45	160	76	1.8	36		11.1	73
1-Z4A/500 kN	275	250	100	145	95	21	118	M8	8	32	43	M72x4	87	400	140	3	65	35	20	134

Specifications

Type	Z4A / Z4A-G						
Data according to VDI standards 2638							
Nominal force	F_{nom}	kN	20	50	100	200	500
Accuracy class			0.02				0.05
Nominal sensitivity	C_{nom}	mV/V	2				
rel. sensitivity deviation	d_c	%	0.1				
rel. tensile/compressive force sensitivity diff.	d_{zd}	%	0.2				
Zero signal tolerance	$d_{s,0}$	%	0.5				
rel. zero point compensation (zero signal return) ¹⁾	f_o	%	±0.08				
Rel. range (0.2 F_{nom} to F_{nom}) at: ¹⁾							
unchanged mounting position, typically	b_i	%	0.02				
different mounting positions, typically	b	%	0.03				
Rel. range of inversion (0.2 F_{nom} – F_{nom}) ¹⁾	u	%	0.06				0.15
Linearity deviation	d_{lin}	%	0.02				0.03
Effect of temperature on sensitivity/10 K by reference to nominal sensitivity	TK_C	%	0.01				
Effect of temperature on zero signal/10 K by reference to nominal sensitivity	TK_0	%	0.015				
Effect of transverse forces (Transverse forces 10 % F_{nom})	d_Q	%	0.03				
Effect of eccentricity per mm	d_E	%	0.01	0.005			
Rel. creep over 15 mins.	d_{crF+E}	%	0.02				
Input resistance	R_e	Ω	>345				
Output resistance	R_a	Ω	356 ± 0.3				
Isolation resistance	R_{is}	Ω	>5·10 ⁹				
Reference excitation voltage	U_{ref}	V	5				
Operating range of the excitation voltage	$B_{U,G}$	V	0.5 ... 12				
Nominal temperature range	$B_{t,nom}$	°C	+10...+40				
Operating temperature range	$B_{t,G}$	°C	-30...+85				
Storage temperature range	$B_{t,S}$	°C	-50...+85				
Reference temperature	t_{ref}	°C	+22				
Max. operational force	(F_G)	%	150				
Limit force	(F_L)	%	150				
Breaking force	(F_B)	%	250				
Static lateral limit force	(F_Q)	%	30				
Limit torque	M_G	Nm	120	350	950	2000	4000
Nominal displacement	S_{nom}	mm	0.2		0.25	0.28	0.45
Fundamental resonance frequency	f_G	kHz	4.1	4.5	3.4	3.6	2.5
Weight		kg	1.8	2.4	5.5	11.2	42
Rel. permissible vibrational stress	F_{rb}	%	70			50	
Cable length, six-wire connection		m	6				
Degree of protection to DIN EN60529			IP 67				

¹⁾ see supplementary information according to EN10002-3 for Z4A-G

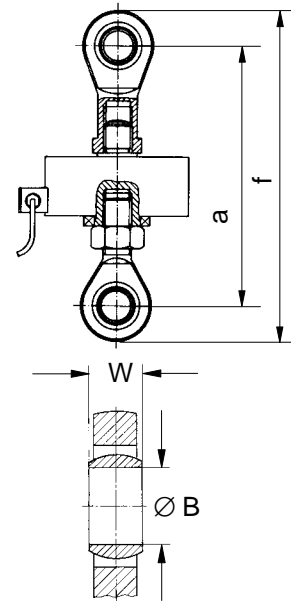
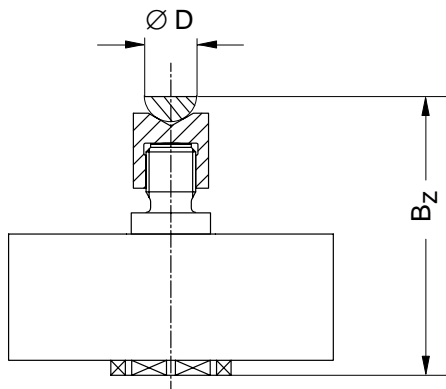
²⁾ corresponds to half the pivot height

Accessories for Z4A

Force introduction parts for standard measurements in industry

Knuckle eye ZGOW/ZGUW

Compressive force introduction ZDK



Type	ZDK Order no.	Weight [kg]	Bz	$\varnothing D \begin{smallmatrix} -0.1 \\ -0.3 \end{smallmatrix}$
Z4A/20 kN	1-Z4A/20kN/ZDK	0.10	99	20
Z4A/50 kN	1-Z4A/50kN/ZDK	0.18	111	25
Z4A/100 kN	1-Z4A/100kN/ZDK	0.40	140	36
Z4A/200 kN	1-Z4A/200kN/ZDK	1.26	200	50
Z4A/500 kN	1-Z4A/500kN/ZDK	5.80	365	80

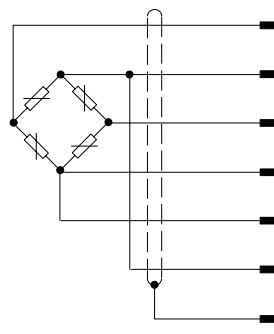
Type	Upper knuckle eye Lower knuckle eye Order no.	Weight [kg]	a	f	W	$\varnothing B$	M _A (Nm)
Z4A/20 kN	1-Z4A/20kN/ZGOW 1-Z4A/20kN/ZGUW	0.2	170	213	21	16 ^{H7}	120
Z4A/50 kN	1-U2A/2t/ZGOW 1-U2A/2t/ZGUW	0.8 0.4	193	245	25	20 ^{H7}	350
Z4A/100 kN	1-Z4A/100kN/ZGOW 1-Z4A/100kN/ZGUW	1.1	265	335	37	30 ^{H7}	1000
Z4A/200 kN	1-U2A/10t/ZGOW 1-U2A/10t/ZGUW	3.2 1.1	360	485	35	50 $\begin{smallmatrix} +0.001 \\ -0.014 \end{smallmatrix}$	2000 ¹⁾
Z4A/500 kN	1-Z4A/500kN/ZGOW 1-Z4A/500kN/ZGUW	17.3 12.0	590	785	44	60 $\begin{smallmatrix} +0.003 \\ -0.018 \end{smallmatrix}$	4000 ²⁾

¹⁾ secured with 2 screws to prevent rotation; underside with inner thread

²⁾ for pivot side only (outer thread)

Pin assignment

6-connection cable



wh (white)

Measurement signal (+) U_A

bk (black)

Excitation voltage (-) U_B

rd (red)

Measurement signal (-) U_A

bu (blue)

Excitation voltage (+) U_B

gr (green)

Sensor circuit (+)

gy (grey)

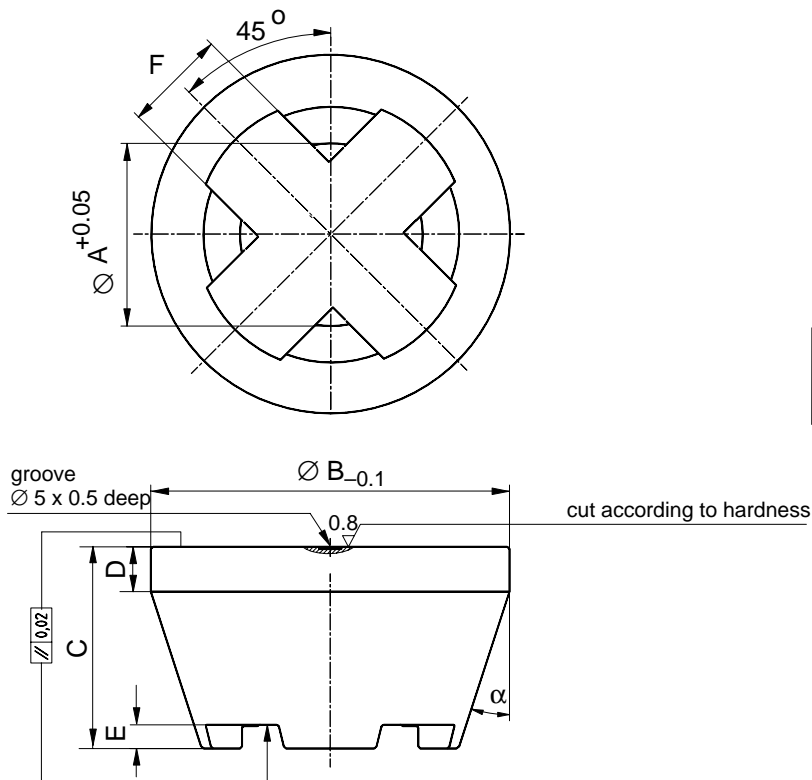
Sensor circuit (-)

Schielding

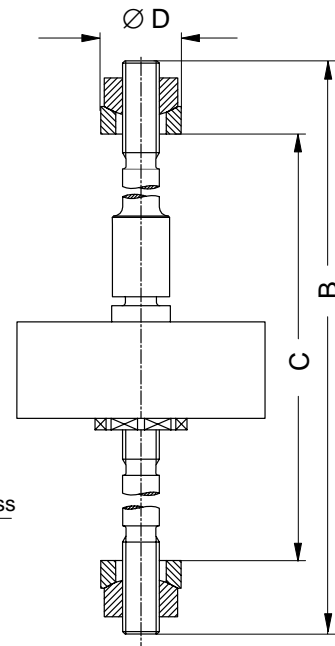
Cable shielding, connected to housing

Force introduction parts for precision measurements, recommended for Z4A-G
e.g. according to DIN EN 10002-3 or ISO 376

EDO4



Tensile force introduction ZKM



Type	Thrust piece Order no.	Weight [kg]	$\varnothing A$	$\varnothing B$	C	D	E	F	α
Z4A/20 kN	1-EDO4/20 kN	0.34	16.2	48	29	8	5	12	18°
Z4A/50 kN	1-EDO4/50 kN		20.2		29		5		
Z4A/100 kN	1-EDO4/100 kN	1.58	30.2	80	45	10	5	23	
Z4A/200 kN	1-EDO4/200 kN		39.2						
Z4A/500 kN	1-EDO4/500 kN	4.35	72.4	112	68	15	12	30	

Type	ZKM Order no.	Weight [kg]	B	min	C	max	$\varnothing D$
Z4A/20 kN	1-Z4A/20kN/ZKM	0.82	325	228		276	35 -0.120 -0.280
Z4A/50 kN	1-Z4A/50kN/ZKM	1.45	350	248		299	45 -0.130 -0.290
Z4A/100 kN	1-Z4A/100kN/ZKM	2.32	395	277		334	50 -0.130 -0.290
Z4A/200 kN	1-Z4A/200kN/ZKM	4.19	447	317		382	64 -0.140 -0.330
Z4A/500 kN	1-Z4A/500kN/ZKM	20.1	623	432		522	90 -0.170 -0.390

Modifications reserved.
All details describe our products in general form only. They are not to be understood as express warranty and do not constitute any liability whatsoever.

Hottinger Baldwin Messtechnik GmbH

Postfach 10 01 51, D-64201 Darmstadt
Im Tiefen See 45, D-64293 Darmstadt

TEL:021-51087017 FAX:021-51685107
www.hbm.sh.cn hbm_sh@126.com



measurement with confidence